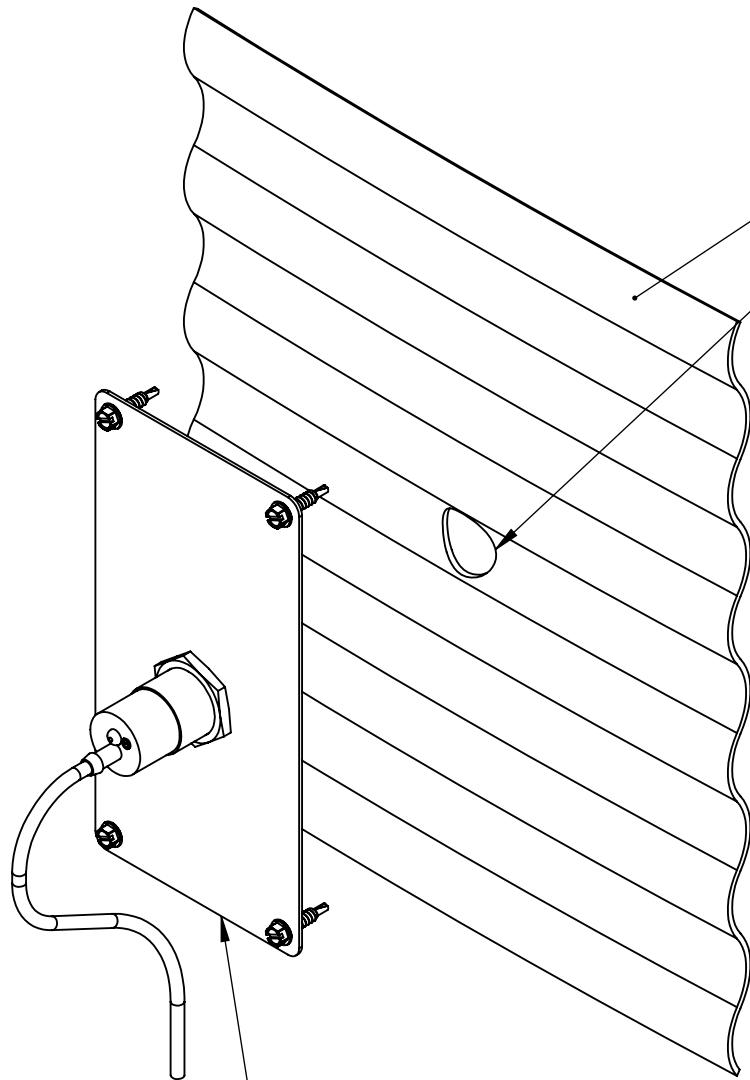


KA-140 Installation Instructions



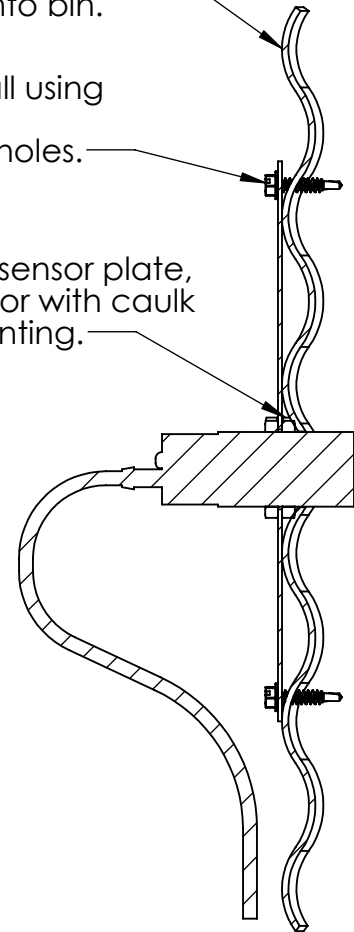
KA-140 Assembly

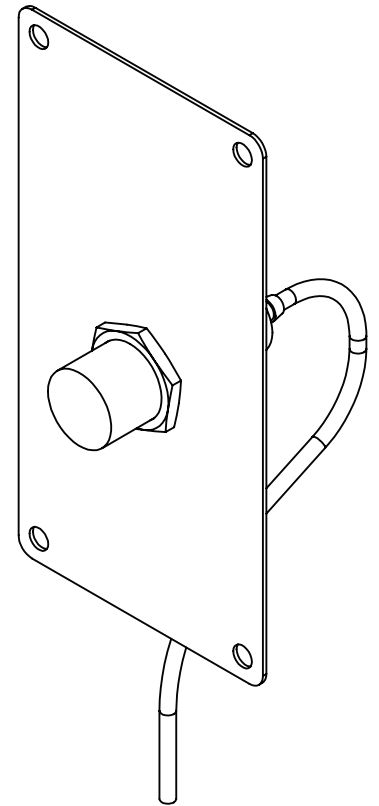
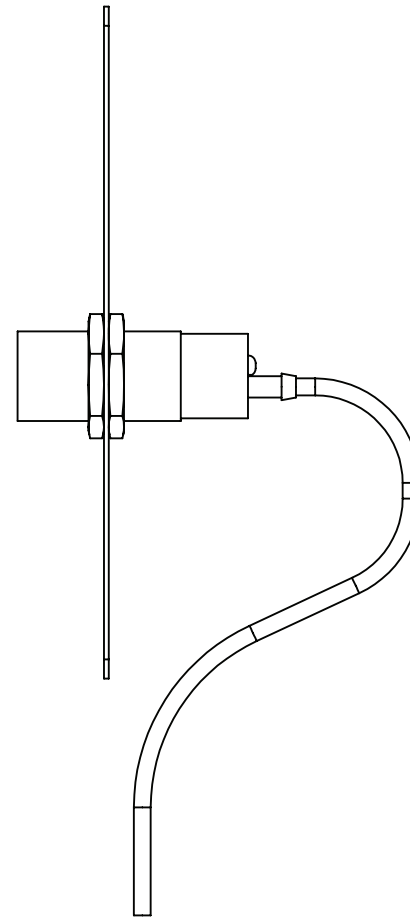
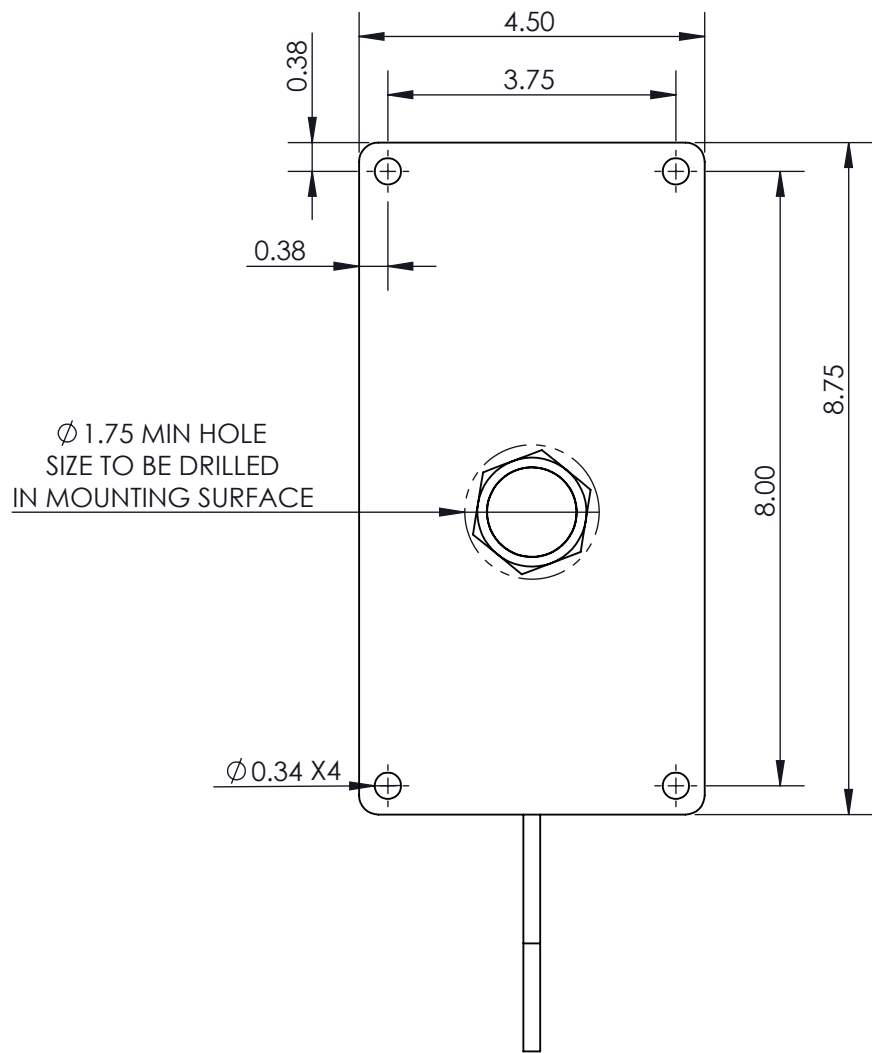
Outside of bin wall

30MM Hole drilled in center of valley between bin ribs. Only drill hole big enough to pass sensor body through hole into bin.

Attach sensor to outside bin wall using self drilling screws. If holes don't line up on bin rib then drill new holes.

When mounting sensor plate, seal around sensor with caulk before final mounting.





KA-140 Mounting Instructions

MOOREAutomation inc.

For more information or assistance in mounting your switch please contact us.

Call us toll-free: 877-767-6897 or Phone: 507-639-9031 Fax: 507-639-6488

Email: mooreaut@frontiernet.net Address: 411 Main Street East, P.O. Box G, Trimont, MN 56176

Office Hours: 8-5 p.m. Monday - Friday / Support hours: 24 hours a day, every day on MOOREAutomation products